

# Color Linear Camera MLCA75-12k

Surface Imperfection Inspection /  
AOI / Image Scanning Application



Color linear CCD with 7500 x 3 effective pixels

Senor size of 9.325 x 9.325  $\mu\text{m}$

Line rate of 12.5K line/sec

Data rate of 6 x 50 MHz

Camera Link<sup>®</sup> Medium Interface

Lens mount of M72 x 0.75

Supports gain and offset adjustments

Supports free run & external trigger modes

# Color Line Scan Camera

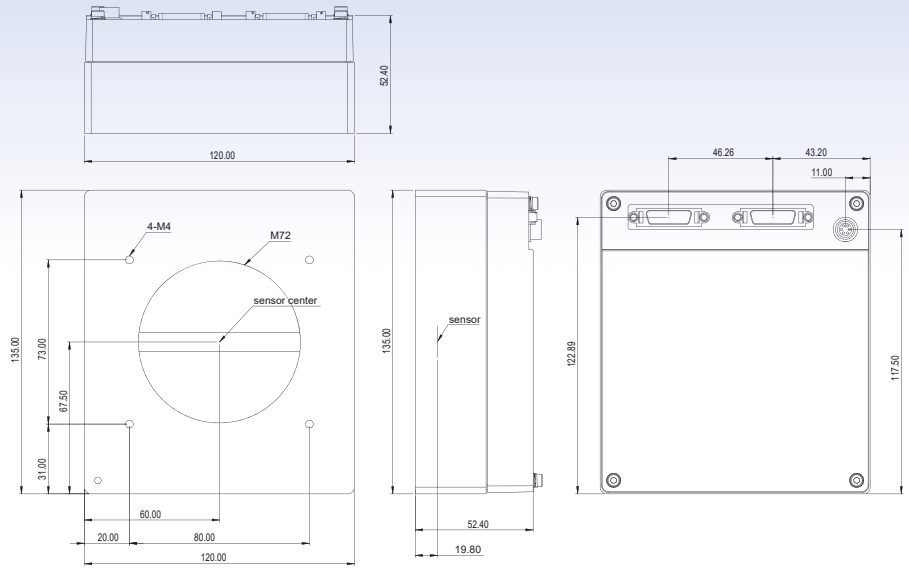
MLCA75-12k is high-speed and high-resolution cameras which is developed exclusively by Microtek for industrial inspections, combining with professionally scanner manufacturing experiences in years. MLCA75-12k is a color linear camera with three lines (R/G/B) sensors. It is capable to restore image colors superiorly. Equipped with a large-size sensor, it can also provide the best film speed (ISO). A high-speed and high-resolution camera is appropriate for inspecting defects which can be found at the printing industry, fabric surface, copper foil surface, fiberglass threads, flat panel displays and so on. In general, MLCA75-12k is a cost-effectiveness color linear camera which can enhance working efficiency apparently.

## Industrial Applications

- Fabric Inspection
- Food Inspection
- PCB Inspection
- Flat Display Inspection
- Inspections of Fiberglass Threads
- Inspections of Glass and Semiconductor
- Prepress Inspection
- Image Scanning Application



## Dimensions



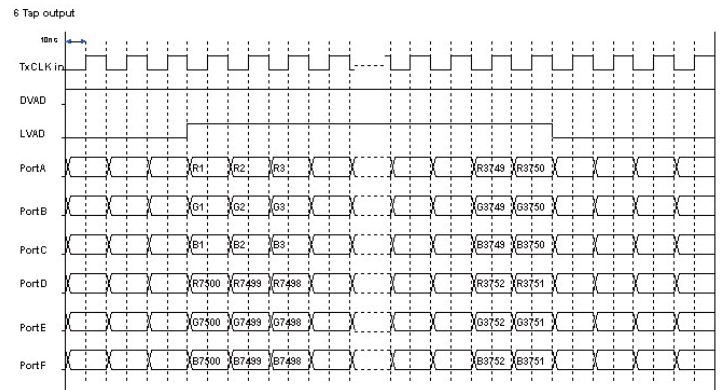
## Camera Control Configuration | Power Supply Connector Pin Assignment | Timing Chart

Name	Function
CC1	ExSync (External Sync.)
CC2	Not used
CC3	Select mode
CC4	Not used

Name	Function
Pin1	+12V
Pin2	+12V
Pin3	N.C
Pin4	N.C
Pin5	GND
Pin6	GND



## Timing Chart



## Specifications

Camera Type	Color Line Scan Camera	Gain & Offset Range	Programmable control	Lens Mount	M72 x 0.75
Image Sensor	Color Trilinear CCD	Exposure Time Control	Edge-controlled mode \ Fixed exposure time	Dimensions	135 x 120 x 53 mm
Number of Pixels	7500 pixels x 3 lines	Trigger Mode	Free run \ External trigger	Weight	0.85 kg
Pixel Size	9.325 x 9.325 $\mu$ m	Camera Control	CC1 (ExSync) \ CC3 (Select mode)	Power Supply	12 V
Line interval	37.3 $\mu$ m (9.325 $\mu$ m x 4 lines)	Connectors	Power: Hirose HR10 6-pin (x1) Data: Camera Link, female MDR 26-pin (x2)	Power Consumption	12 W (12 V/1 A)
Video Output Format	8-bit x 3, 6 taps			Operating Temperature	0° ~ 40° C
Video Output Protocol	Camera Link® Medium				
Line Rate	12.5 k line/sec.				
Date Rate	6 x 50 MHz				

\* For more details on product, please contact your local Microtek sales or dealers.

## MICROTEK INTERNATIONAL, INC.

No.6, Industry East Road 3, Hsinchu Science Park, Hsinchu 30075, Taiwan  
Tel: +886-3-577-2155 Fax: +886-3-577-2598 www.microtek.com

